

Rocky Mountain Cartridge LLC

CARTRIDGE:

OTHER NAMES:

DIA:
BALLISTEK NO:
NAI NO:

DATA SOURCE:
HISTORICAL DATA:

NOTES:

LOADING DATA:

BULLET WT./Type/Dia.	POWDER WT./TYPE	VELOCITY (1/SEC)	SOURCE

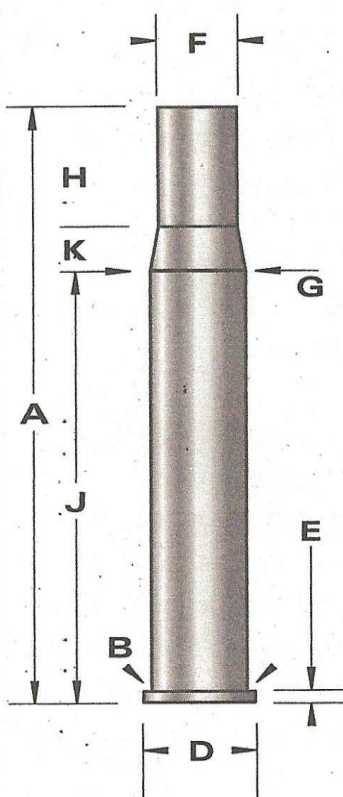
CASE PREPARATION:

SHELLHOLDER:

PHYSICAL DATA (INCHES):

DIMENSIONAL DRAWING:

Case Type: Rimmed Bottleneck
Case Length A =
Head Diameter B =
Rim Diameter D =
Neck Diameter F =
Neck Length H =
Shoulder Length K =
Body Angle (Deg's/Side):
Case Capacity CC'S =
Loaded Length:
Belt Diameter C =
Rim Thickness E =
Shoulder Diameter G =
Length to Shoulder J =
Shoulder Angle (Deg's/Side):
Primer:
Case Capacity (Gr's Water):



- NOT ACTUAL SIZE -
- DO NOT SCALE -

Highlighted Areas Specifically Needed

rockymtncartridge@gmail.com

Rocky Mountain Cartridge LLC

CARTRIDGE:

OTHER NAMES:

DIA:
BALLISTEK NO:
NAI NO:

DATA SOURCE:
HISTORICAL DATA:

NOTES:

LOADING DATA:

BULLET WT./Type/Dia.	POWDER WT./TYPE	VELOCITY (1/SEC)	SOURCE

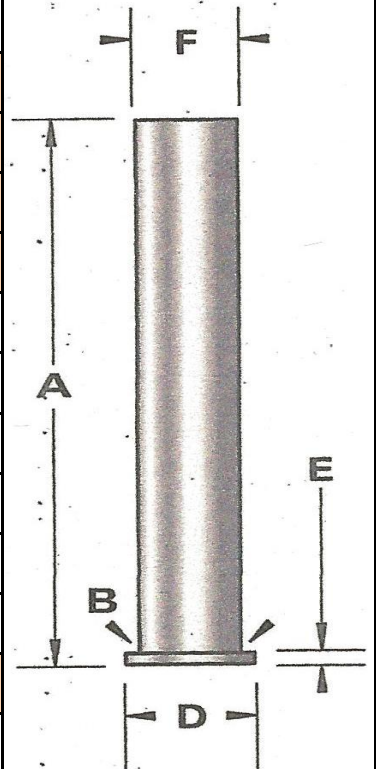
CASE PREPARATION:

SHELLHOLDER:

PHYSICAL DATA (INCHES):

DIMENSIONAL DRAWING:

Case Type:
Case Length A =
Head Diameter B =
Rim Diameter D =
Neck Diameter F =
Neck Length H =
Shoulder Length K =
Body Angle (Deg's/Side):
Case Capacity CC'S =
Loaded Length:
Belt Diameter C =
Rim Thickness E =
Shoulder Diameter G =
Length to Shoulder J =
Shoulder Angle (Deg's/Side):
Primer:
Case Capacity (Gr's Water):



- NOT ACTUAL SIZE -
- DO NOT SCALE -

Highlighted Areas Specifically Needed

rockymtncartridge@gmail.com